

SOUNDZ BAGGER AUDIO

SPEAKER LID CUT IN KIT INSTRUCTIONS

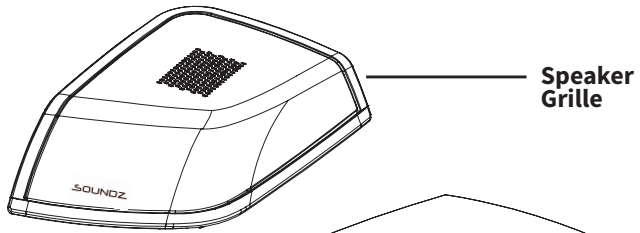
BOTH 2014-2020 & 1998-2013 LID KIT STYLES WILL BE COVERED IN THE DETAILED INSTRUCTIONS

HARNESS INSTRUCTIONS

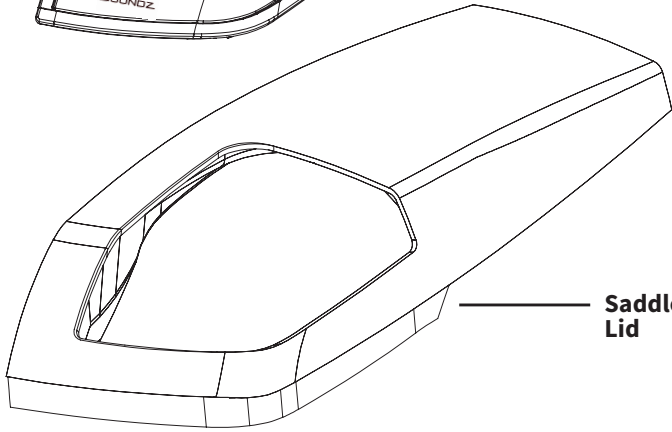
1. This kit is assumed to be added onto an existing Soundz Bagger Audio Premium Upgrade Kit. Please refer to those directions for wire routing. For the purposes of these directions, we will presume the Soundz SC-RRMN, rear main harness is already routed under the seat, and you will be connecting the saddlebag portion to this kit.
2. Remove the saddlebags from the bike and place where they will not be damaged.
3. Connect the Saddlebag harness (SC-RRLD) to the Rear Main Harness (SC-RRMN).
4. Route the Bike side of the harness on both the clutch and brake side of the bike ensuring that the harness will not interfere with the belt, brake, or any other function of the motorcycle.
5. Secure near each rear shock with a zip tie to ensure the wire will not drop in the way of any moving parts.
6. Reinstall the Saddlebags onto the bike.
7. Drill a 3/4" hole on the inside of the bag for the saddlebag side of the harness. Once the hole is drilled, insert through the hole and secure the grommet.
8. Place the adhesive backed plastic cable to mounting tab to the inside of the bag.
9. Route the wire along the inside of the bag and secure to the plastic cable tie mounting tab with the supplied plastic wire ties.
10. Connect harness to each speaker.

SADDLEBAG LID CUT/ASSEMBLY INSTRUCTIONS

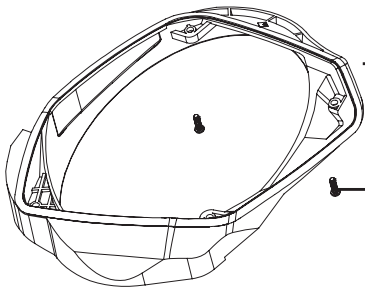
1. Remove any and all loose personal items from each saddlebag. **DO NOT REMOVE LID FROM BAG.**
2. Using masking tape (not provided in kit), tape over the painted portion of your saddlebag lids. *This will prevent any scratching of the painted surface during the installation process. Make sure the thickness of the tape does not affect the snugness of all sides/corners of the template before securing the template to the lid.*
3. Apply the template to the saddlebag lid and secure using two screws per template. Make sure the template is secure and does not move. Screws included in the kit can be used. *There is a specific brake and clutch side template for each lid. A 1/8" drill bit to predrill holes before screwing the template to the lid is helpful.*
4. Once the template is secured, add additional masking tape to the outer edges of the template. This will secure the outer half of the template once the inner portion has been cut and discarded, making any final surface preparation easier, and minimizing potential damage to the painted portion of the saddlebag lid.
5. We recommend using an Oscillating multi-tool with an appropriate cutting blade for plastic.
6. Using the oscillating multi-tool, cut following along the inside of the template "line" or open slot in the template. *When cutting, be sure that the saw blade stays in between the edges of the template. Cutting into the template will lead to fitment issues.*
7. Once the inner portion of the template is fully cut, remove the plastic from the saddlebag, remove the screws for use in the kit later in the directions.
8. Verify that the grille portion of the kit fits without obstruction from the cut surface. If necessary, use sandpaper to clean and smooth the surface for best proper sealing. *How well each surface seals directly affects how water resistant the kit is.*
9. Next you will remove the outer template and any remaining masking tape with a final inspection of your inner and outer mounting surfaces.
10. Attach grille and mounting ring to the lid using supplied screws. *It is easier to place the grille into the hole that has been cut into the lid, hold pressure against, open lid, then place the mounting ring onto the grille to secure with supplied "hi-lo" #8x1/2" screws.*
11. Install speaker onto the mounting ring of the assembly using supplied screws (#8x3/4" washer head).



Speaker Grille

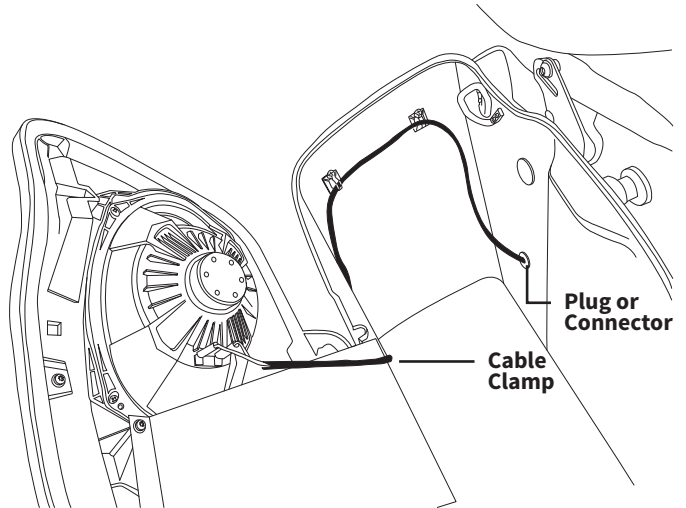
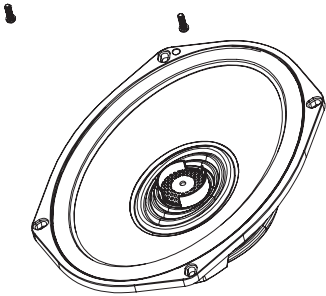


Saddlebag Lid



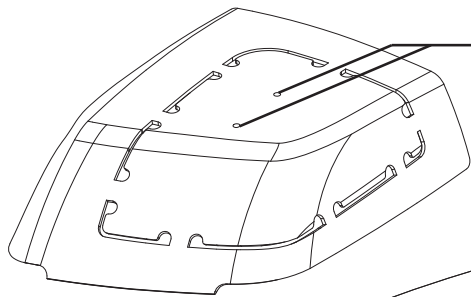
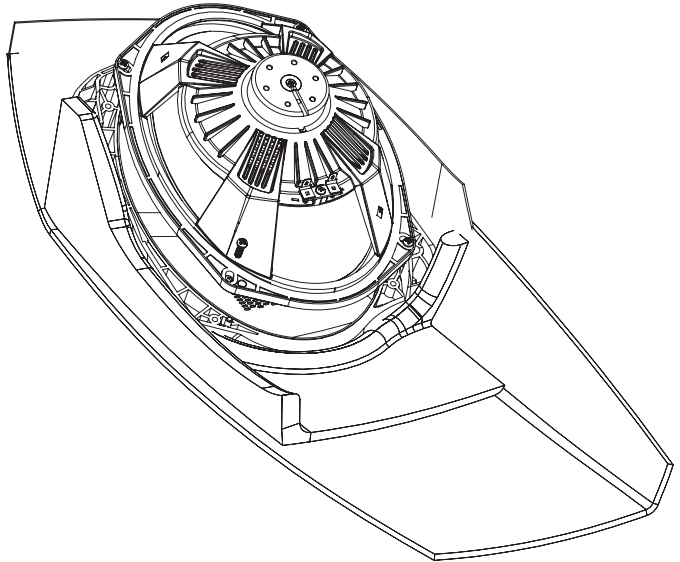
Mounting Ring

Mounting Screw



Cable Clamp

Plug or Connector



Screw Locations

Apply Tape

